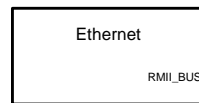
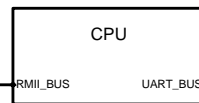


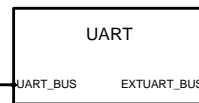
001\_ServicePS



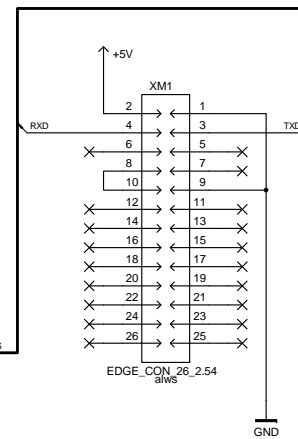
004\_Ethernet



002\_CPU



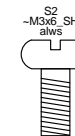
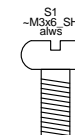
003\_UART



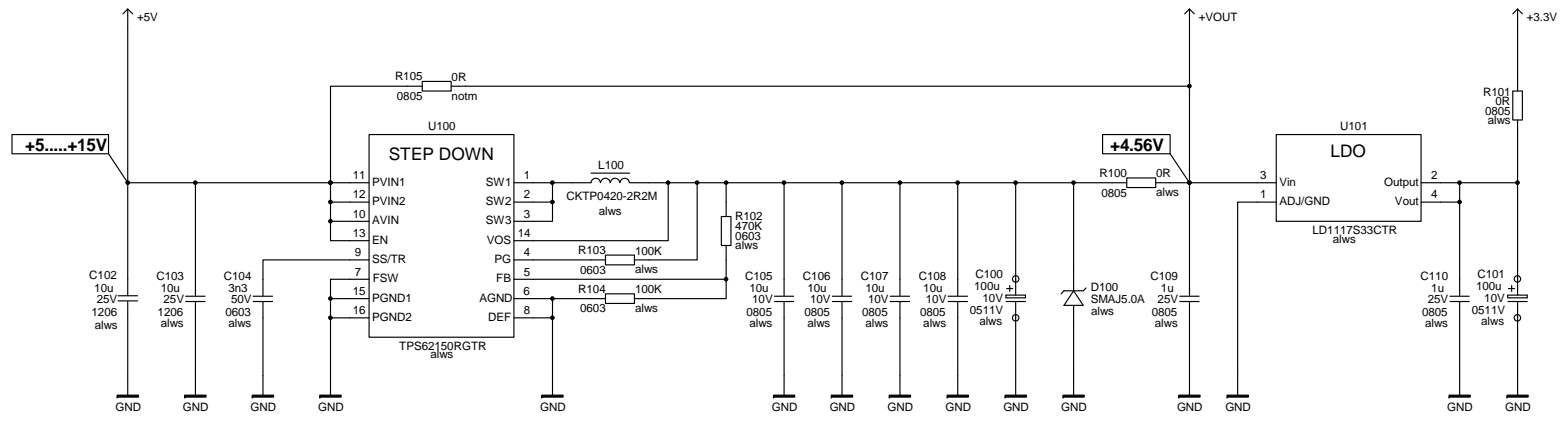
Common parts


PCB1  
-PCB 2 layer  
alws  
**2 LAYER PCB**

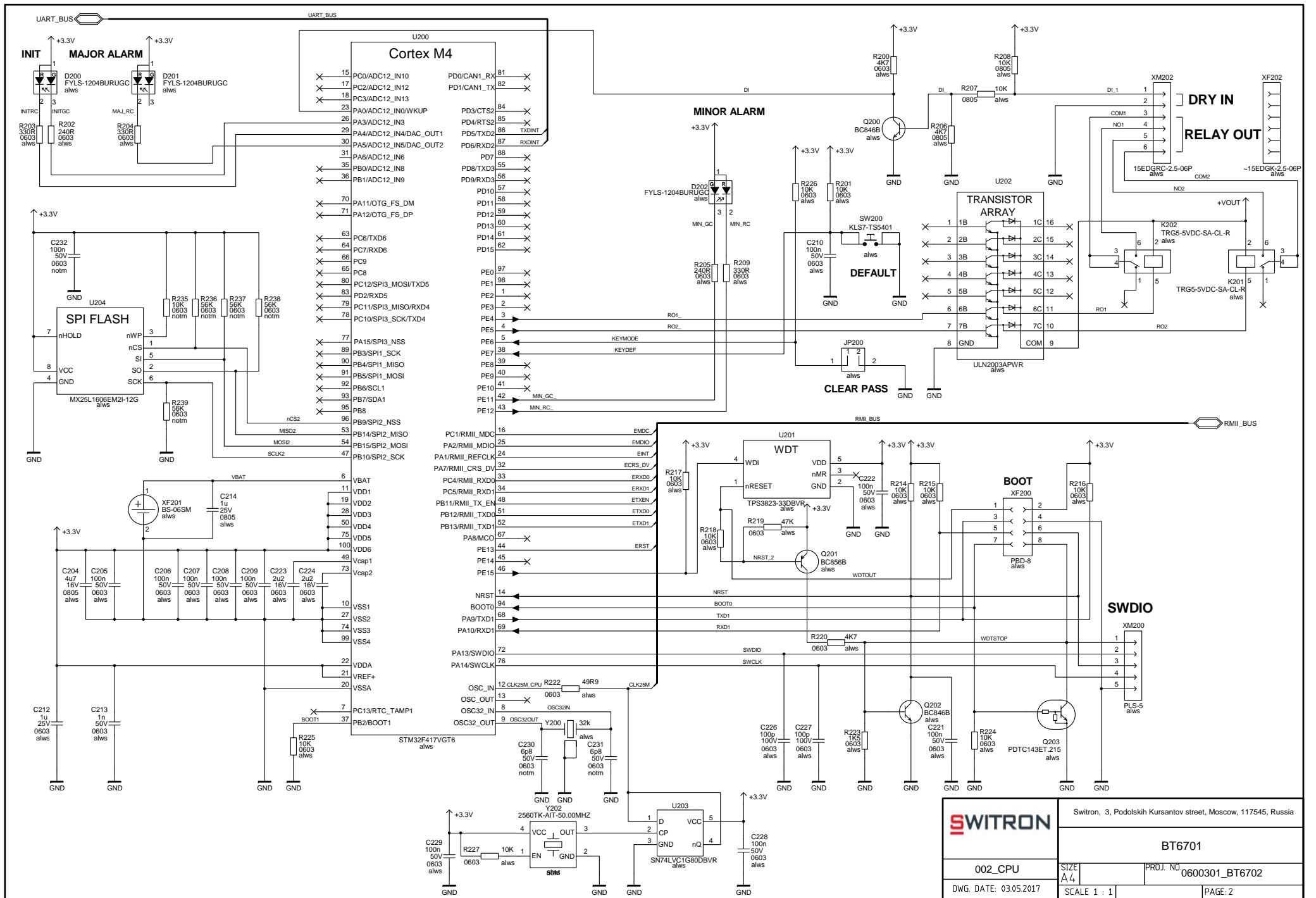
LBL1  
**FRONT LABEL**  
-Front Panel Label  
alws



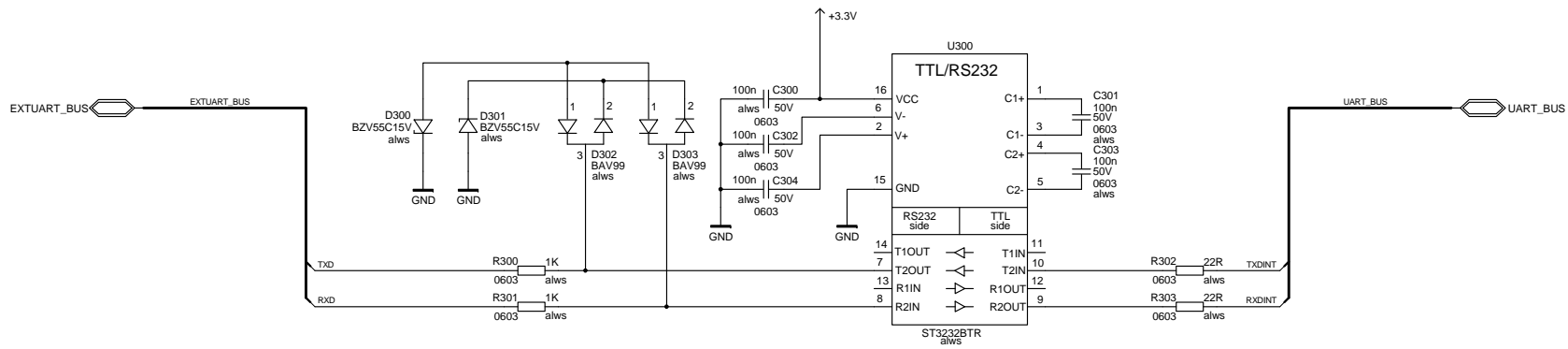
<b>SWITRON</b>	Switron, 3, Podolskih Kursantov street, Moscow, 117545, Russia		
	BT6701		
000_TopLevel	SIZE A4	PROJ. NO.	0600301_BT6702
DWG. DATE: 02.05.2017	SCALE 1 : 1		PAGE: 0




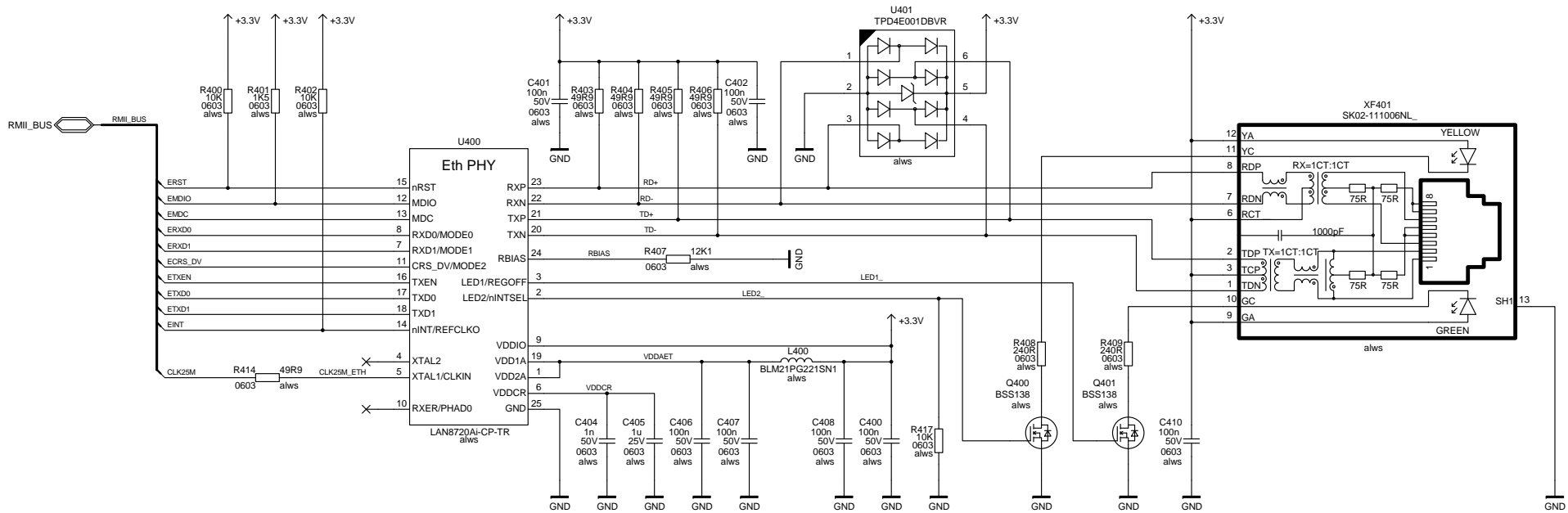
	Switron, 3, Podolskih Kursantov street, Moscow, 117545, Russia		
	BT6701		
001_ServicePS	SIZE A4	PROJ. NO.	0600301_BT6702
DWG. DATE: 02.05.2017	SCALE 1 : 1	PAGE: 1	



<b>SWITRON</b>		Switron, 3, Podolskikh Kursantov street, Moscow, 117545, Russia	
		<b>BT6701</b>	
002_CPU		SIZE A4	PROJ. NO 0600301_BT6702
DWG. DATE: 03.05.2017		SCALE 1 : 1	PAGE: 2



	Switron, 3, Podolskih Kursantov street, Moscow, 117545, Russia		
	BT6701		
003_UART	SIZE A4	PROJ. NO.	0600301_BT6702
DWG. DATE: 03.05.2017	SCALE 1 : 1	PAGE: 3	



<b>SWITRON</b>	Switron, 3, Podolskih Kursantov street, Moscow, 117545, Russia		
	BT6701		
004_Ethernet	SIZE A4	PROJ. NO. 0600301_BT6702	
DWG. DATE: 03.05.2017	SCALE 1 : 1	PAGE: 4	